

RENOGY MTS-CE

Cable Entry Housing



Version: 2.0



Important Safety Instructions

Please save these instructions.

WARNING

Indicates a potentially dangerous condition. Use extreme caution when performing this task.

CAUTION

Indicates a critical procedure for safe and proper operation of the system.

NOTE

Indicates a procedure or function that is important to the safe and proper operation of the system.

General Safety Information

- Read all of the instructions and cautions in the manual before beginning the installation.
- Installation should be completed by a professional contractor to avoid damages that may be incurred due to improper sealing.
- Do NOT substitute parts from other manufacture ring sources, doing so may void the warranty and/or result in an unstable system.
- This mount system does NOT possess any compliance with residential structural codes and should not be used in place of a system that is, if so required by local regulations.

Installer Responsibilities

- Installation compliance with any applicable codes which are in force at the installation site.
- Installation compliance and compatibility with all system components and the environment including but not limited to roofing, system components, etc.
- Verification that all project information is accurate.

Table of Contents

General Information	04
Identification of Components	06
Installation	07
Technical Specifications	09
Dimensions	11

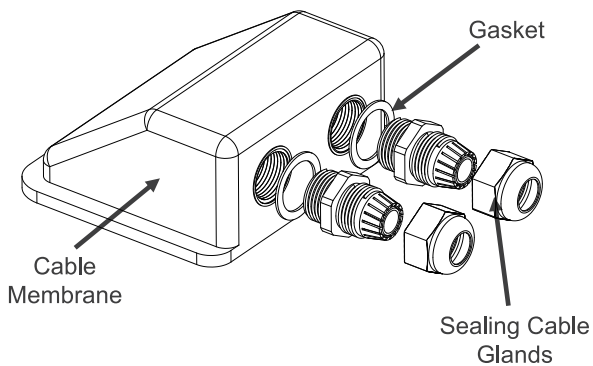
General Information

The Renogy Cable Entry Housing (MTS-CE) is a UV-resistant, waterproof, and ABS plastic membrane designed to provide the solution for cable entry through roofs. With its dual cable entry, the MTS-CE easily passes solar cables and can be conveniently mounted on virtually any roof surface.

Key Features

- 100% recyclable and UV resistant
- Drill-free mounting
- Waterproof rated cable entry glands
- Designated for virtually any aluminum framed solar panels
- Easier and more flexible installation

Identification of Components



Installation

NOTE

The following instructions are to serve as a simple guideline.

Recommended tools to have before installation:

- Assembly Adhesive (Sikaflex-252)
- Caulking gun
- Masking Tape
- Hand Pads (Scotchbrite Pads)
- Spirit Level
- Tape Measure

WARNING

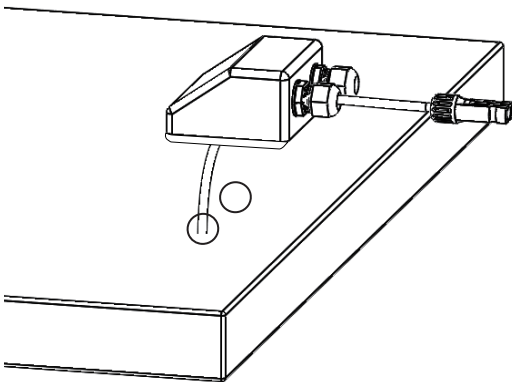
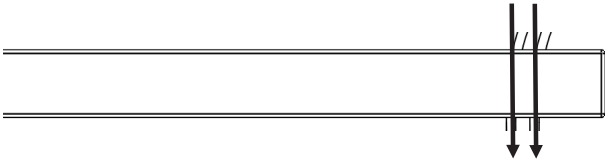
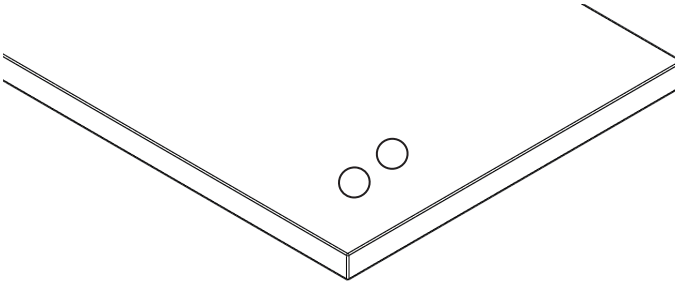
Assembly adhesives contain hazardous chemicals that can be detrimental to one's health. Make sure to abide by the manufacturer's handling and care when using assembly adhesives.

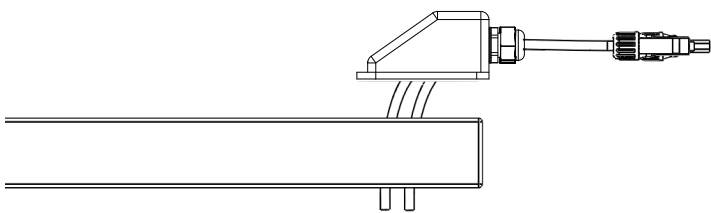
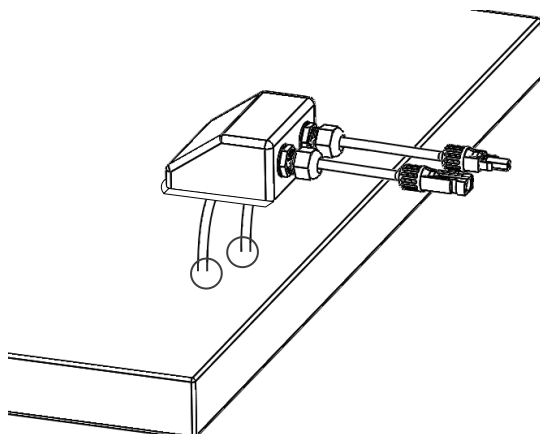
1. Set Up Mounting Area

- a. On the flat surface, mark the area by which the wire will feed through.
- b. Drill a small hole at the chosen spot that is suitable enough for wire feeding.
- c. Smooth out any rough edges.
- d. Pass cable through the MTS-CE and into the roof.

NOTE

Cables with MC4 ends will need to go through the MTS-CE before going through the roof





2. Apply Adhesive to the cable entry gland and install on flat surface

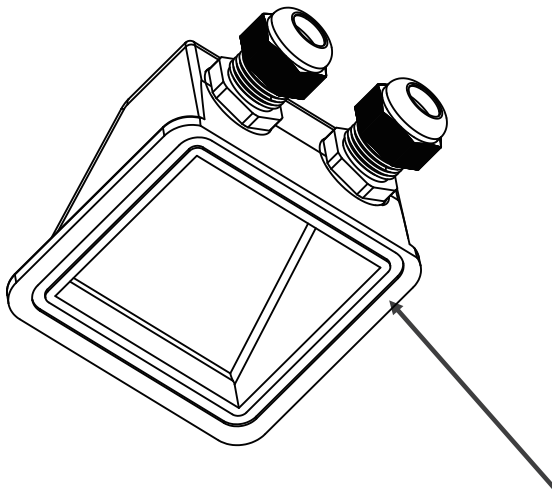
NOTE

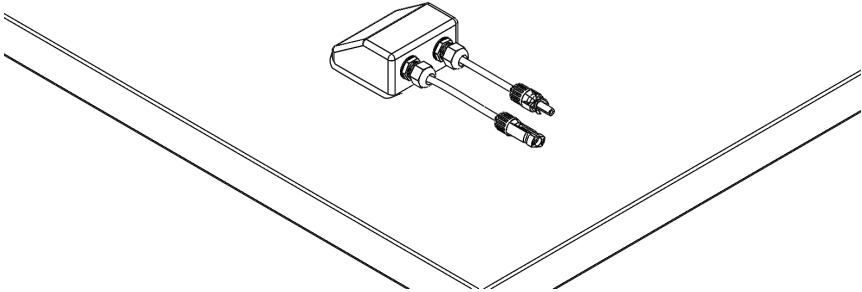
Always mark out where the component will be located on the flat surface before proceeding to apply adhesive.

- a. Clean the surface that will be bonded to ensure maximum bonding potential.
- b. Apply adhesive to the bottom side of the membrane where they will make contact with the flat mounting surface.
- c. Apply pressure to ensure proper contact.

NOTE

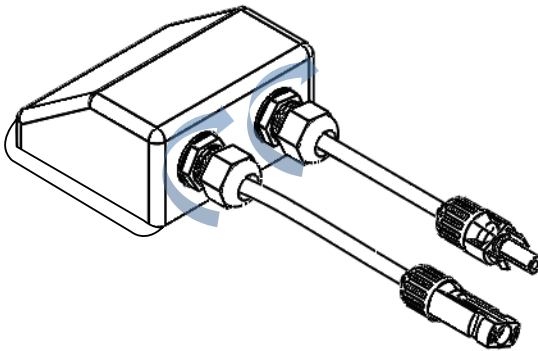
A correct bond should have the adhesive seeping from the bracket onto the flat surface. Adhere to adhesive manufacturer specifications for application and time to dry.





3. Tighten cable gland at desired wire length

- Upon desired wire length, tighten individual cable glands by rotating clockwise
- Rotate until wire feed is no longer mobile through the gland.
- Repeat for the other cable gland



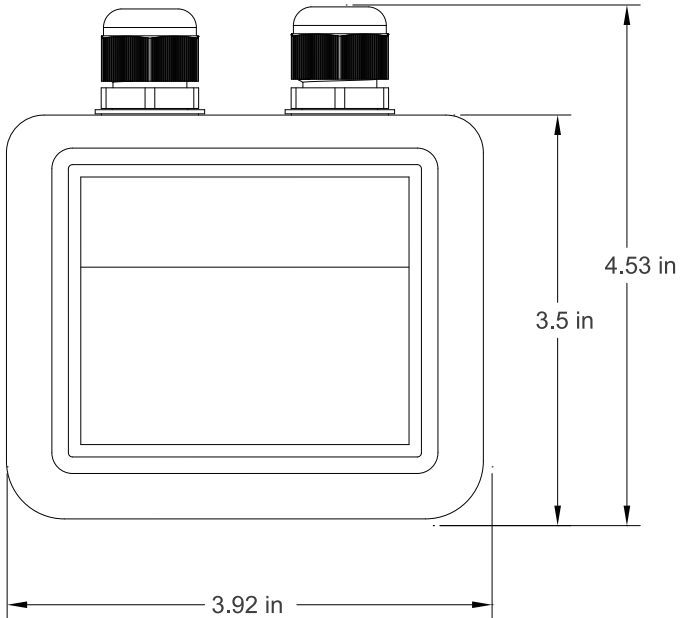
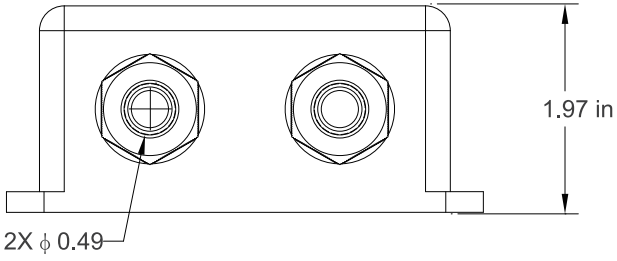
Technical Specifications

Parameter	Specification
Material	UV-resistant ABS Plastic
Weight	4.3 oz.
Dimensions (l x w x h)	3.9 x 3.5 x 2.0 in
Recommended Adhesive	Sikaflex 252 or alike
Cable Gland Diameter Range	6mm – 12mm

Dimensions

NOTE

The following drawings utilize inches as their dimension units.





2775 E. Philadelphia St., Ontario, CA 91761

1-800-330-8678

Renogy reserves the right to change the contents of this manual without notice.