

RNG-175D

175W Monocrystalline Solar Panel

Key Features

The Renogy 175W solar panel offers more power and durability. Corner supports for frame protection and corrosion-resistant aluminum frames. The new 175W rigid solar panel has better conversion efficiency, improving the power output per surface area.

- High module conversion efficiency
- Top ranked PTC rating
- Quick and inexpensive mounting
- 100% EL testing on all Renogy modules
- No hot spots guaranteed

Potential Uses

The Renogy 175W Monocrystalline Solar Panel has applications in off-grid power systems. That includes 12 and 24 volts battery banks, water pumping systems, signaling systems, and other off-grid applications.



Power Output Warranty



Material and Workmanship Warranty

RNG-175D

175W Monocrystalline Solar Panel

Electrical Data

| | |
|--|----------|
| Maximum Power at STC* | 175 W |
| Optimum Operating Voltage (V_{mp}) | 18.1 V |
| Optimum Operating Current (I_{mp}) | 9.67 A |
| Open Circuit Voltage (V_{oc}) | 21.6 V |
| Short Circuit Current (I_{sc}) | 10.31 A |
| Module Efficiency | 19.8% |
| Maximum System Voltage | 6000 VDC |
| Maximum Series Fuse Rating | 20 A |

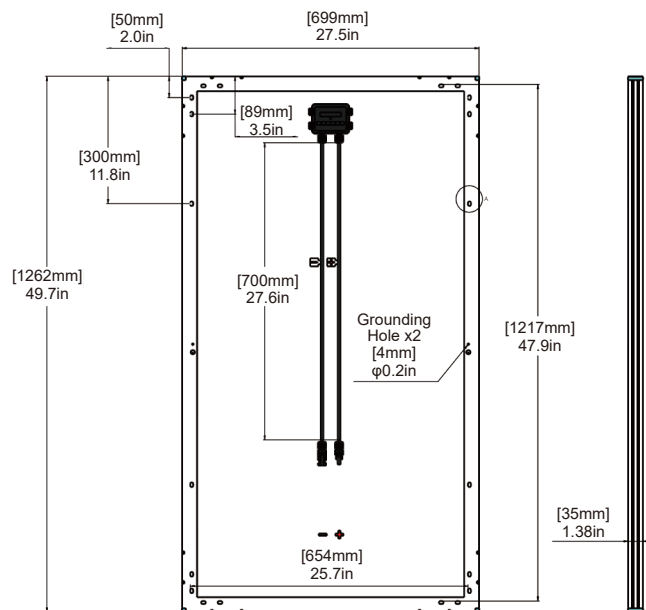
Thermal Characteristics

| | |
|---|-----------------------------|
| OperatingTemp. Range | -40°C - 85°C(-40°F - 185°F) |
| Nominal Operating Cell Temperature (NOCT) | 45±2°C |
| Temperature Coefficient of Pmax | -0.37%/°C |
| Temperature Coefficient of Voc | -0.28%/°C |
| Temperature Coefficient of Isc | 0.05%/°C |

Junction Box

| | |
|------------------|------------------------|
| IP Rating | IP 65 |
| Diode Type | 20SQ045 |
| Number of Diodes | 2 Diode(s) |
| Output Cables | 14 AWG 700mm (27.6 in) |

Module Diagram



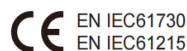
Mechanical Data

| | |
|------------------|-------------------------------------|
| Solar Cell Type | Monocrystalline (6.5 x 2.9 in) |
| Number of Cells | 64 (4 x 16) |
| Dimensions | 1262 x 699 x 35 mm(49.7x27.5x1.4in) |
| Weight | 10 kg(22lbs) |
| Front Glass | Tempered Glass 0.13 in (3.2 mm) |
| Frame | Anodized Aluminum Alloy |
| Connectors | Solar Connectors |
| Fire Performance | Type 1 |

MC4 Connectors

| | |
|------------------------|-----------------------------|
| Rated Current | 30 A |
| Maximum Voltage | 1000 VDC |
| Maximum AWG Size Range | 12 AWG |
| Temperature Range | -40°C - 90°C(-40°F - 194°F) |
| IP Rating | IP 68 |

Certifications



EN IEC61730
EN IEC61215

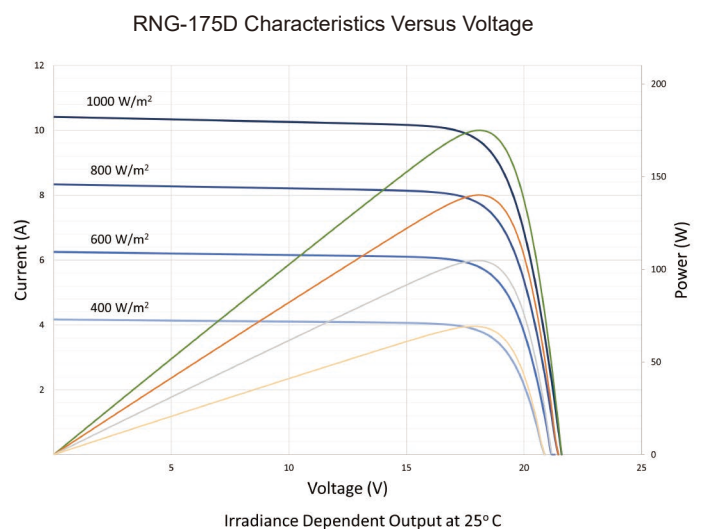


ISO 9001:
Quality Management System



ETL
Intertek

IV-Curve



*All specifications and data described in this data sheet are tested under Standard Test Conditions (STC - Irradiance: 1000W/m², Temperature: 25°C, Air Mass: 1.5) and may deviate marginally from actual values. Renogy and any of its affiliates has reserved the right to make any modifications to the information on this data sheet without notice. It is our goal to supply our customers with the most recent information regarding our products. These data sheets can be found in the downloads section of our website, www.renogy.com